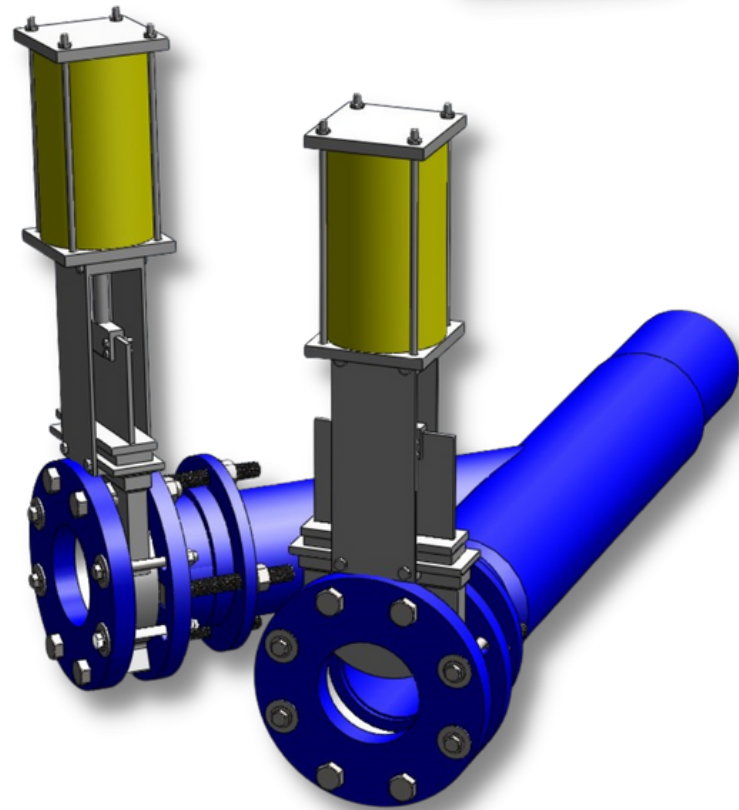


PERMA/flo KG Diverter Valve

Simple, Rugged, Effective means of diverting or converging flow from one line to another.



Modern industrial installations require safe, reliable and economic equipment to maintain optimal operating performance for their plants. When it comes to diverting or converging materials from one point to another in pneumatic transport lines, there are very few choices, especially when handling abrasive materials.



PERMA/flo KG Diverter Valves Are Compatible with Standard, Lined and Cast Pipe.

The PERMA/flo KG Diverter Valves are used to divert or converge abrasive materials while maintaining a seal on the closed divert leg. The valve body is constructed of cast 400+ BHN P-33 Alloy or PERMA/flo II Induction Hardened Steel.

When material is required to be diverted, a signal is sent to the solenoid (controls by others) to close the desired leg. The gate will be pushed close (utilizing 80-100 PSIG clean/dry plant air) creating a solid barrier which material cannot pass through. At this point material will build up in one portion of the lateral allowing the material to deflect off of itself and into the open portion of the lateral.

The PERMA/flo KG Diverter Valve is made up of three modular parts. A PERMA/flo or PERMA/flo II Abrasion resistant 45 Degree lateral, Two pneumatic actuated knife gate valves with stainless steel bodies and gate and either Coupled or flanged ends.

Delta Ducon

11 General Warren Blvd, Malvern PA 19355

Phone: 610.695-9700 Fax: 610.695.9724

www.deltaducon.com

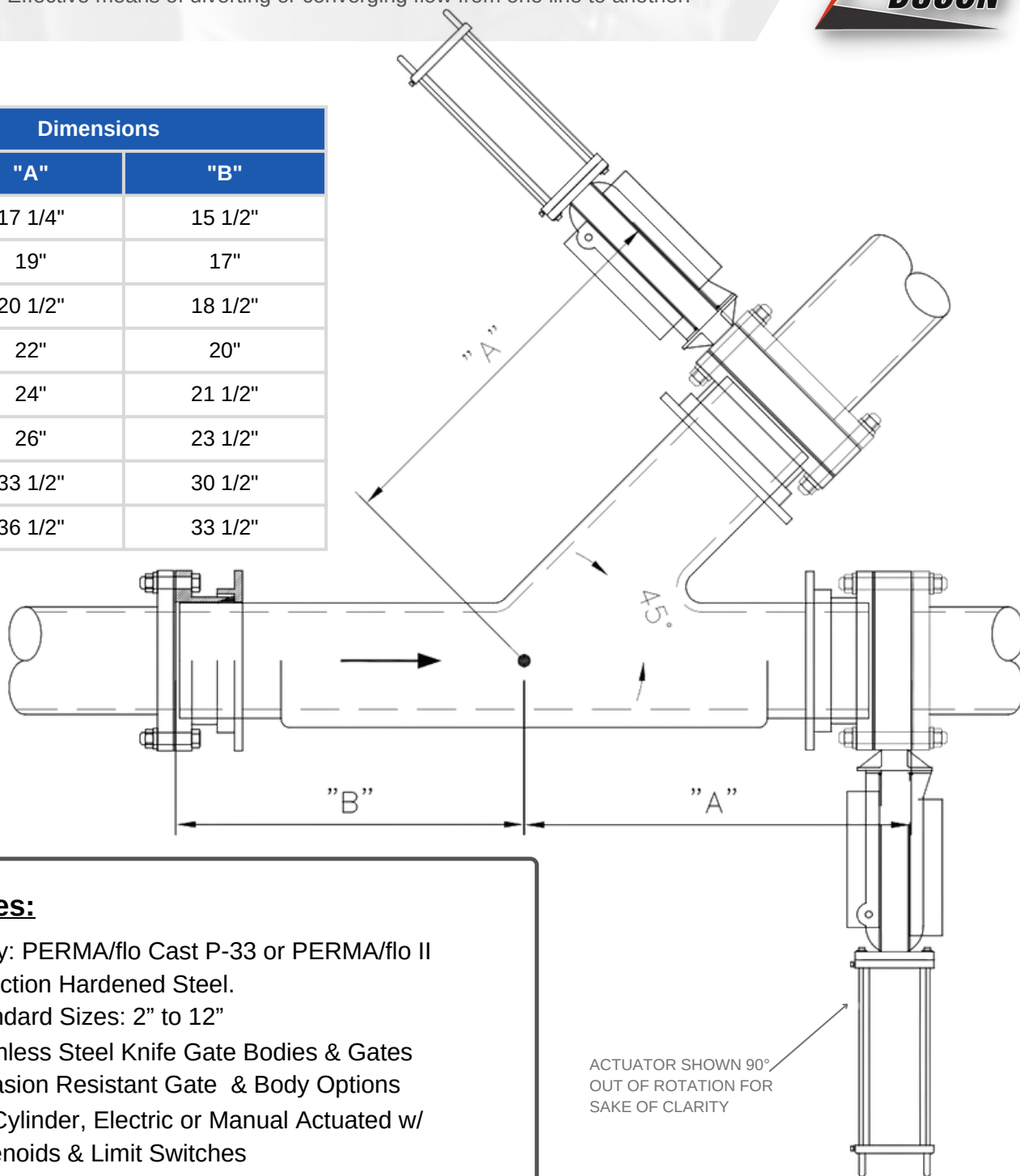


PERMA/flo KG Diverter Valve

Simple, Rugged, Effective means of diverting or converging flow from one line to another.



Dimensions		
Size	"A"	"B"
2"	17 1/4"	15 1/2"
3"	19"	17"
4"	20 1/2"	18 1/2"
5"	22"	20"
6"	24"	21 1/2"
8"	26"	23 1/2"
10"	33 1/2"	30 1/2"
12"	36 1/2"	33 1/2"



Features:

- △ Body: PERMA/flo Cast P-33 or PERMA/flo II Induction Hardened Steel.
- △ Standard Sizes: 2" to 12"
- △ Stainless Steel Knife Gate Bodies & Gates
- △ Abrasion Resistant Gate & Body Options
- △ Air Cylinder, Electric or Manual Actuated w/ Solenoids & Limit Switches
- △ Modular Construction ie: individual pieces can be repaired or replaced as required.

Delta Ducon

11 General Warren Blvd, Malvern PA 19355

Phone: 610.695-9700 Fax: 610.695.9724

www.deltaducon.com

