

PERMA/flo Type "HD" Feeders

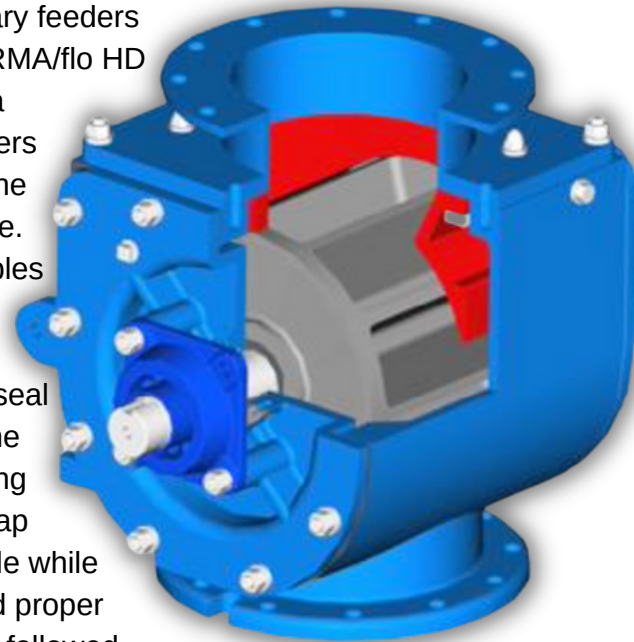
Rotary Valves for Moderately Abrasive Service



The PERMA/flo HD rotary valves fill a gap in the market between the typical industry standards of heavy duty and our PERMA/flo XT & XL Extreme Duty rotary valves.

The PERMA/flo HD rotary valves are offered in the two most common sizes, 8" & 12". The HD rotary valves have many of the same standard features of our PERMA/flo XT & XL Extreme Duty rotary valves, but the main difference is that it's rotor and seal shoe are cast in a heavy iron alloy with a Brinell hardness of 180-260 BHN.

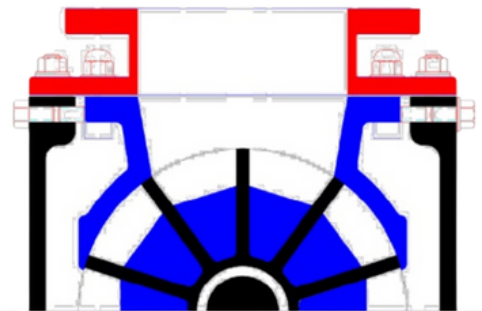
The PERMA/flo HD rotary valves can be applied as rotary feeders and airlocks. The PERMA/flo HD rotary valves feature a unique design that offers adjustment between the rotor and the seal shoe. This adjustability enables the rotor to seal shoe gap to be maintained providing the tightest seal possible throughout the life of the unit. Adjusting and maintaining the gap clearance can be made while the unit is in place and proper safety procedures are followed.



Standard Features:

- △ Heavy Iron Alloy Closed End Rotor & Inlet Wear Shoe
- △ Field Adjustable Rotor To Shoe Clearance
- △ Heavy Cast Iron Housing
- △ Outboard Mounted Bearings
- △ Heavy Duty Shaft (No Shear Pins Required)
- △ Shaft Air Purge Ports
- △ Four Inspection Ports

If low rates are required, the HD Rotary Valve can be fitted with a "Reduced Pocket Fill Rotor" option. This provides reduced capacity without reducing the throat/inlet size.



Delta Ducon

11 General Warren Blvd, Malvern PA 19355

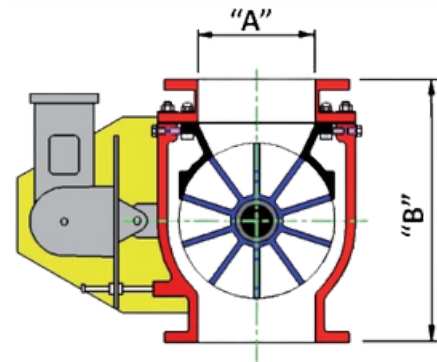
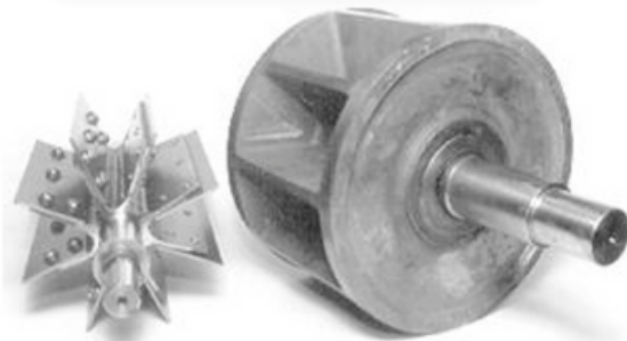
Phone: 610.695-9700 Fax: 610.695.9724

www.deltaducon.com



PERMA/flo Type "HD" Feeders

Rotary Valves for Moderately Abrasive Service



Other Manufacturers 8" Rotor vs. Type "HD" Rotor

SIZE "A"	8"	12"
Capacity: Cu. Ft. Per Rev. @ 100% eff.	0.375	1
"B" Overall Height (inches)	22"	27"
HP (Fixed Speed)	0.5	1.0
HP (Variable Speed / Inverter Duty)	1	1.5
Approximate Weight w/Drive (Pounds)	1,100	1,700
Number of Rotor Pockets	10	10
Rotor & Shoe Material	Cast Iron	
Housing Material	Cast Iron	
Inlet & Discharge Flange	Round (150# ANSI Drilling)	
Bearings	Outboard For All Sizes	
Temperature Rating (Standard Design)	500° F	
Temperature Rating (High Temp Design)	800° F (Continuous) 1000° F (Intermittent)	

Delta Ducon

11 General Warren Blvd, Malvern PA 19355

Phone: 610.695-9700 Fax: 610.695.9724

www.deltaducon.com

